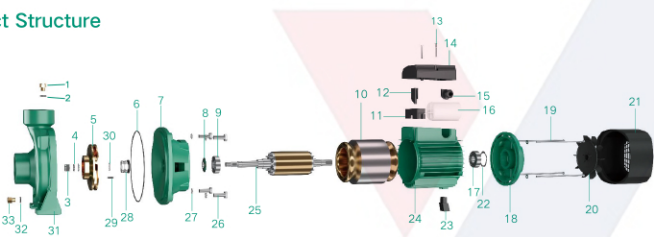


## Performance Parameters

Model	Power		Inlet/Outlet In	Q(m <sup>3</sup> /h) Q(l/min)	0	3	6	9	12	15	17	18	21	24	26	27	28.5	30	33		
	kW	HP			0	50	100	150	200	250	283	300	350	400	433	450	475	500	550		
THF6C	0.95	1.3	1.5"x1.5"	H(m)	16	16.1	15.7	15	14.3	13.8	12.2										
THF6B	1.1	1.5	2"x2"		26	23.2	20.7	18.3	16.2	14.5	14.2	12.4	10.7	9.6	8.8						
THF6B-1	1.5	2	2"x2"		22	21.5	21	20.5	20	19	18	17.5	16.5	15	15.3	13.2	12.5	11.2	9		
THF6B-3	2.2	3	2"x2"		25	24.6	24	23.2	22.1	21	20.3	19.2	17.3	15.8	14	13.5	11.4	11			
TGA1A	0.75	1	1.5"x1.5"		20	19.7	18.7	17.2	15.5	13.3	12.5	10									
TGA1C	0.75	1	2"x2"		14.7	14.4	14.1	13.7	13.2	12.8	12.4	11.9	11	9.9	9.1	8.5	7.4				

Model	Power		Inlet/Outlet In	Q(m <sup>3</sup> /h) Q(l/min)	0	10	20	30	40	50	55	60	65	70	80	90	100	106		
	kW	HP			0	167	333	500	667	833	917	1000	1083	1166	1333	1500	1666	1766		
THF5A	1.5	2	3"x3"	H(m)	14.5	14.4	13.7	12.4	10.4	7.8	7.1	6								
THF6A	2.2	3	4"x4"		17.5	14.62	14.3	14.2	12.5	9.9	8.9	7.2	6.9							
THF8A-1	3	4	3"x3"		17.5	17.3	16.5	15.3	13.2	10	8.5									
THF5A(6C)	1.1	1.5	3"x3"		12.50	12.00	11.90	11	9	6.7	5.5									
THF6A-1	2.2	3	3"x3"		14.6	14.5	14	12.8	11	8	7.5									
THF6A-2	1.9	2.5	4"x4"		14.3	14.1	13.7	13	11.7	9.1	7	5								
THF6A-3	1.1	1.5	4"x4"		12.5	12.3	11.8	10.5	8.4	5.7	5									
THF8A	3	4	4"x4"		20	19.3	18	16.1	13.5	10.3	9.4	8.5	9.5							
THF10A	4	5.5	4"x4"		16.5	16.4	16.2	16	15.4	14.2	13.3	12.1	8.5	7.4	5.4	3.2				

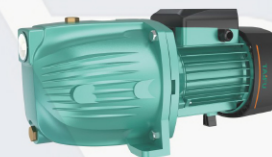
## Product Structure



NO.	Part	NO.	Part	NO.	Part	NO.	Part	NO.	Part
1	Screw	8	Water washer	15	Cable sheath	22	Spring washer	29	Flat gasket
2	O-ring	9	Bearing	16	Capacitor	23	Foot	30	Locking ring
3	Locknut	10	Stator	17	Bearing	24	Motor body	31	Pump body
4	Gasket	11	Terminal block	18	Motor end cover	25	Rotor	32	O-ring
5	Impeller	12	Plug	19	Screw	26	Screw	33	Screw
6	O-ring	13	Bolt	20	Fan	27	Gasket		
7	Motor front cover	14	Junction box	21	Fan cover	28	Mechanical seal		

## JET

Priming Pump



Patent No: ZL 2019 3 0388497.2

-  Household water
-  Well water lifting
-  Pipeline pressurization
-  Agricultural irrigation
-  Vegetable greenhouse watering
-  Garden irrigation
-  Aquaculture

## Model Description



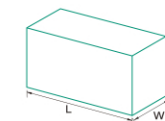
## Working Conditions

- Ambient temperature is 0°C~+45°C
- The medium temperature does not exceed +40°C
- The pH of the medium is between 6.5-8.5
- The volume ratio of solid impurities is not more than 0.1% and the particle size is not more than 0.2mm

## Advantages & Features

- Wide voltage operation
- F-class insulation, temperature resistance of 155°C
- Debris jamming protection
- Stainless steel welded motor rotor shaft, rust-proof, longer service life
- Over-current protection
- Blocking protection
- Nice appearance design

## Packing Dimensions



Model	L	W	H
	cm	cm	cm
JET60	42	25.5	31
JET80	42	25.5	31
JET100	51.5	25	29.5
JET150	46	23	28
JET200	51.5	25	29.5
TJSW-10M	46	23	28
TJSW15M-1	46	23	28